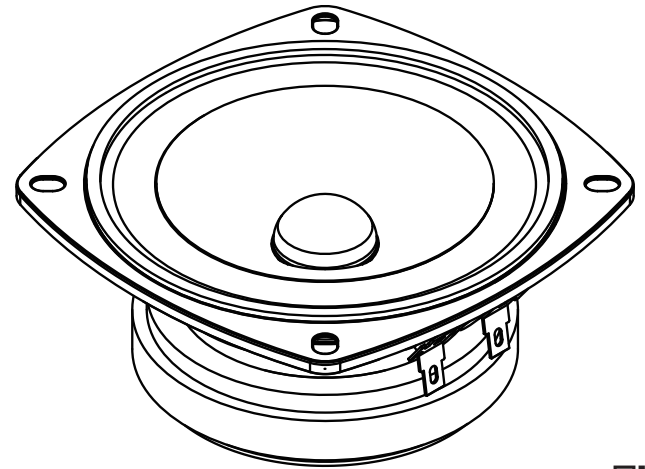




FE103NV

10cm Fullrange speaker unit

Fostex



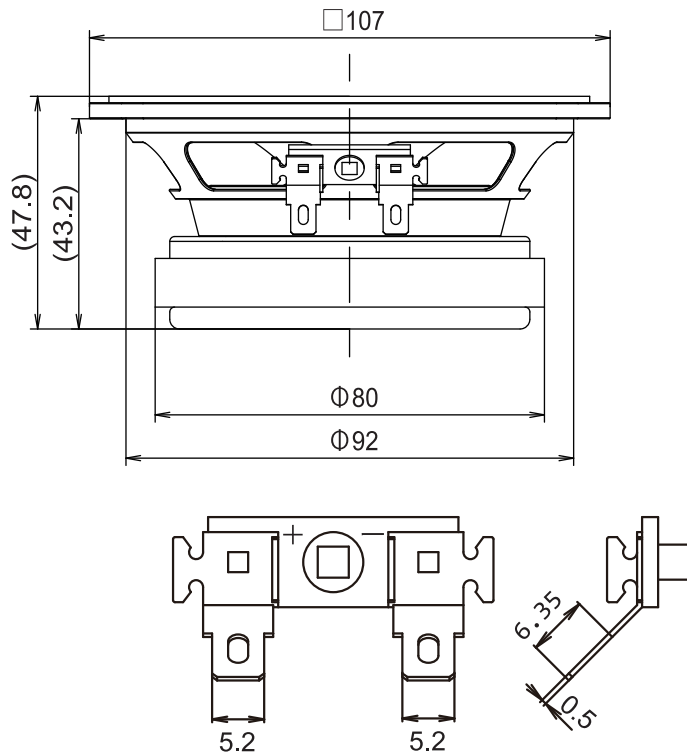
Specification Sheet



www.fostex.jp/products/fe103nv

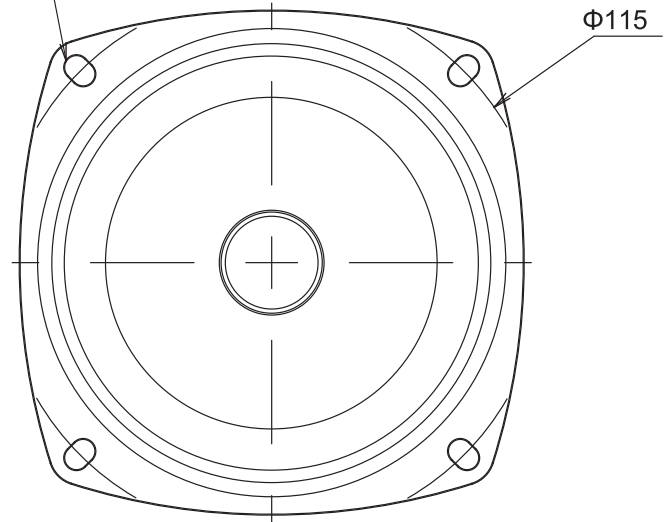
In accordance with our policy of continuous development, we reserve the right to change specifications without notice Printed in China 638121

Dimensions / Polarity



5x7 LONG HOLE

Φ115



Standard Accessories

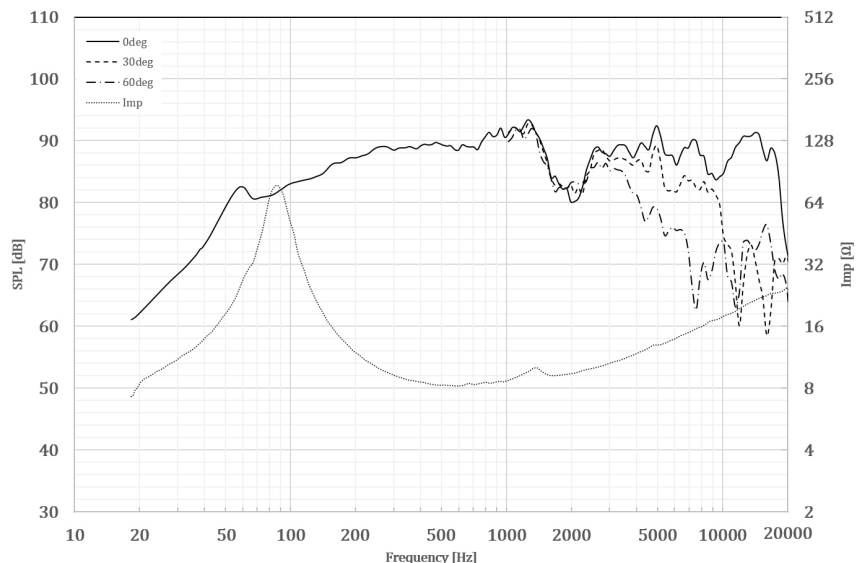
Speaker unit : 1pc	Specification sheet : 1pc
Screw : 4pcs	Application sheet : 1pc
Washer : 4pcs	Safety precautions : 1pc
Spacer : 1pc	Customer registration card : 1pc

Specifications & Thiel / Small Parameters

Electrical Parameters	Nominal Impedance	8.0	ohm
	Re	7.7	ohm
	Le	0.2	mH
	fs (F0)	91.8	Hz
Mechanical Parameters	Mms (M0)	2.5	g
	Cms	1.2	mm/N
	Bl	4.7	N/A
Loss Factors	Qms	5.20	-
	Qes	0.50	-
	Qts (Q0)	0.46	-
Other Parameters	SPL (1m/1W)	88,5	dB
	Equivalent Diaphragm Radius (a)	40.0	mm
	Rated Input	5	W
	Max Input	15	W
	Overall Diameter	□107	mm
	Voice Coil Diameter	20	mm
	Reproduction Frequency Response	fs to 22k	Hz
	Vas	4.3	L
	Baffle Hole Diameter	Φ93	mm

Frequency Response

FOSTER Electric Co.,Ltd semi-anechoic chamber
1/24th oct smoothing / Input 2.83V(1W) / mic distance 1m



Components

